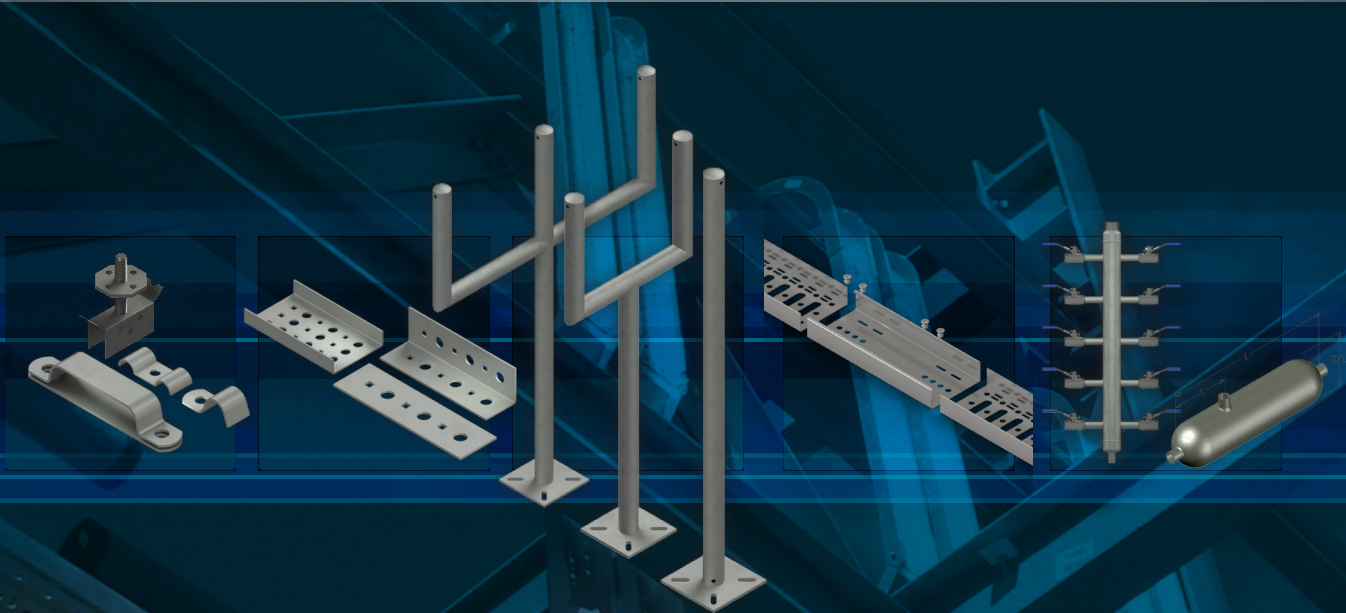


PRODUCT OVERVIEW



**Tubing/Channel Tray • Snap Track Cable Tray • Instrument Stands
Condensate Pots • Air Manifolds • Custom Products**

TechLine Mfg. is a manufacturer of Instrumentation & Electrical supports, and provides quality products to industrial jobsites and facilities around the world. We carry inventory on most standard items. Known for innovation and customer service, we take pride in providing the perfect solution, whether our standard products or something more custom.

TechLine[®]
MFG.

Leader in
Instrumentation &
Electrical Supports



TechLine[®]
MFG.

TechLine Mfg.'s Primary goal is to be a world class manufacturer of instrument support and cable tray systems.

We will continually design and provide industry with quality controlled innovative products and superior customer service. We will operate with the highest professional, ethical, safety, and quality standards. The management team will continually develop policies and procedures to ensure these objectives are met, while fostering a team culture where all employees work toward these common goals, maximize their individual potential, and share in the results.

Sincerely,



Wendy D'Olive

President

TechLine Manufacturing

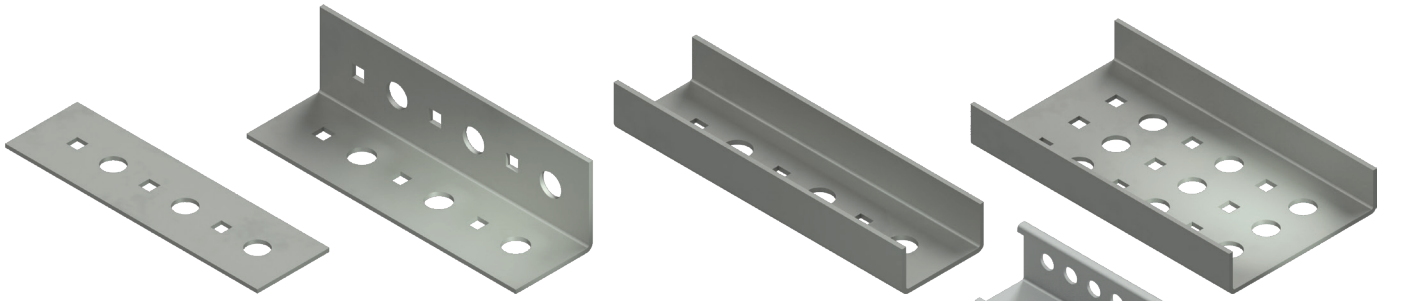
Channel Cable & Tubing Trays

Channel Cable & Tubing Trays

Our core products include our cable and tubing tray along with many fittings that reduce field fabrication. We offer a variety of materials and finishes for various environments, including hot-dipped galvanized, aluminum and stainless steel.

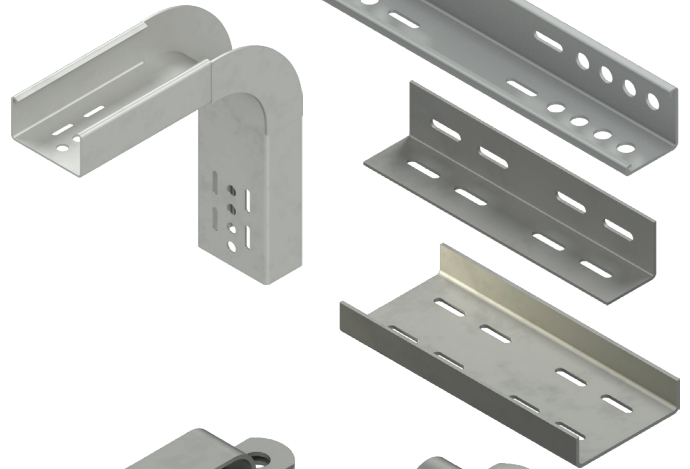
Perforated channel, angle and flatbar

- Solid side rails for strength and maximum protection are standard on channel
- Alternating round and square holes allow for easy installation and ventilation
- UL classification labels available upon request



Fittings/splices for tray products

- 90° short and long radius angle elbow
- 90° short and long radius channel elbow
- Short and long radius tee and cross
- Flat splice, elbow, tee, and cross
- Speed Splice for aluminum angle



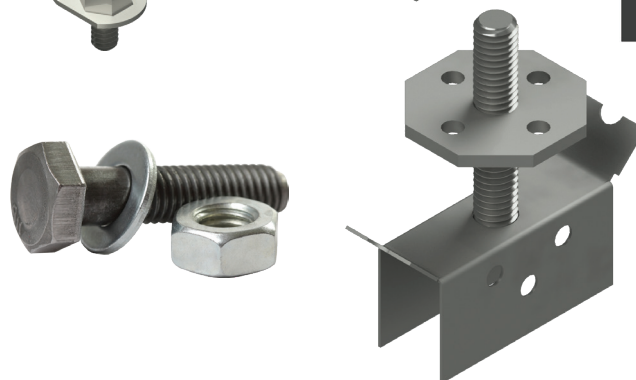
Tubing Clamps

- Yoke, single and duplex tubing clamps
- Gang clamps
- Bundle clamps
- Cushion clamps
- Corrosion-resistant tubing clamps



Fasteners

- Threaded fasteners
- Grating fasteners



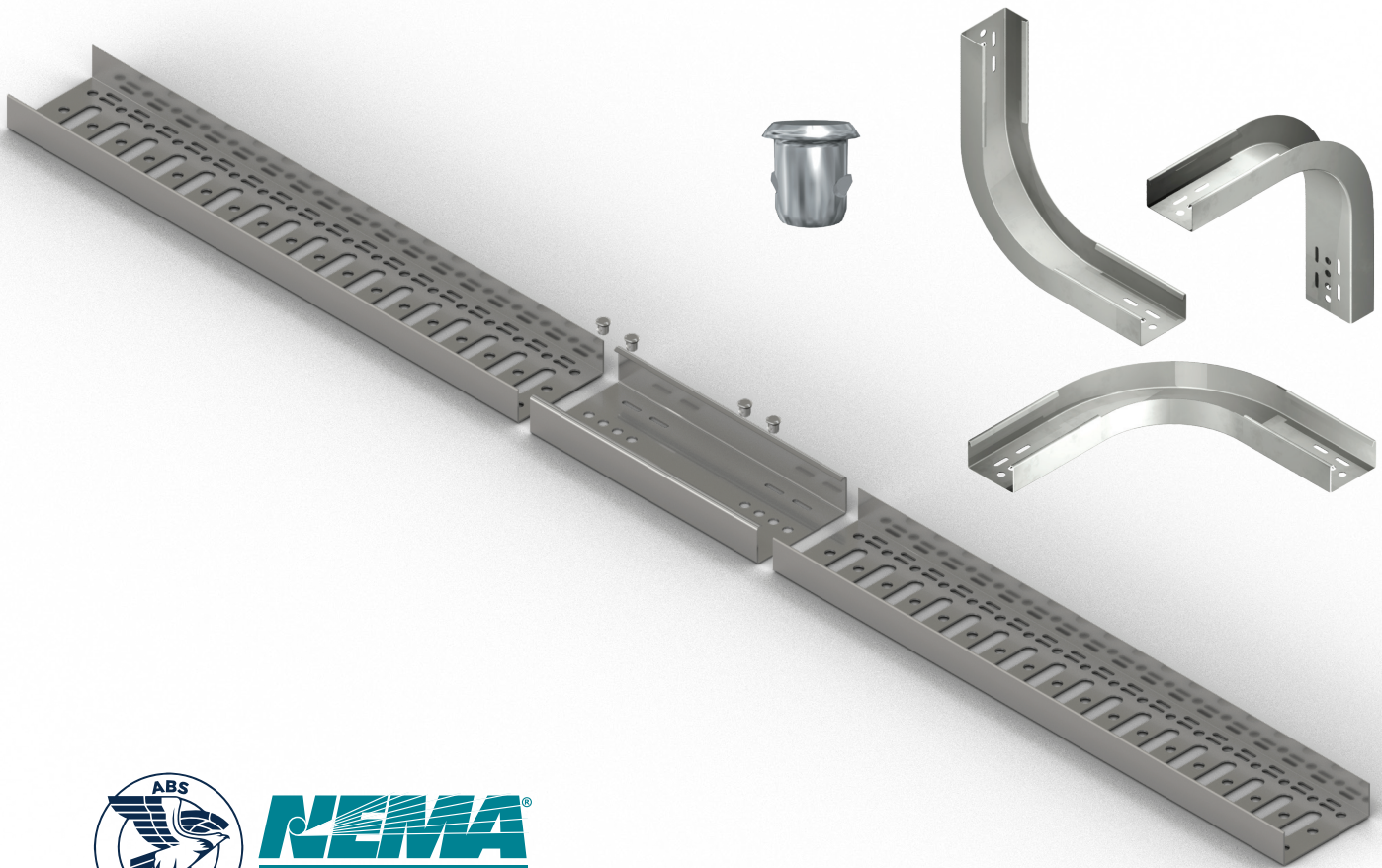
Snap Track Cable Trays

Snap Track Cable Trays

Snap Track is a patented snap-together ventilated channel-type cable tray, and as a UL Classified product, is suitable for power, data, and instrumentation cables, as well as instrument tubing for industrial installations. Snap Track saves on labor and reduces total installed costs.

- Available in 2", 4" and 6" widths
- Quick, easy installation
- Unique patented push-pin assembly requires less time to install
- Longer span distances require fewer supports
- Large selection of fittings designed to reduce field fabrication: 3"-36" radius fittings, waterfall, conduit adapters, spillouts, and more
- Flexibility for future cable runs
- UL Classified marine-grade aluminum
- Large inventories ready to ship
- Product Design Assessment (PDA) completed by ABS

Avoid costly and time-consuming field fabrication with push-pin assembly and unique fittings. Field training included with project purchase.

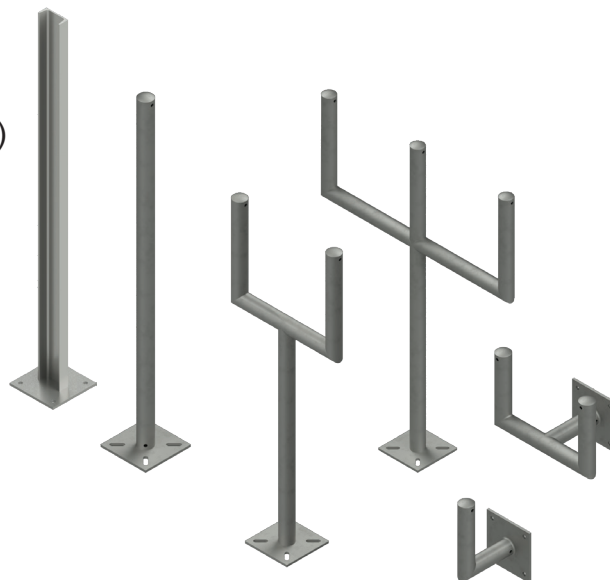


Instrument Stands

TechLine Mfg. manufactures industry standard stock and custom instrument stands. We maintain large inventories in standard heights and configurations, and produce custom instrument stands to your specifications.

- Competitive pricing
- Large inventory
- Variety of finishes available (HDG, SS, Aluminum)
- Single, double, triple horn mounts, and more
- Channel stands
- Beam mounts, grating mounts, wall mounts, etc.
- Mounting hardware

Avoid time-consuming and costly field fabrication. Stock items ship within 24 hours.

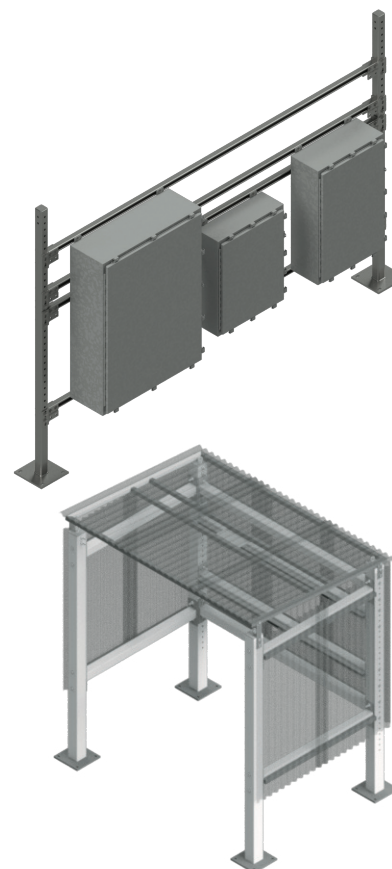


Rack Systems

TechLine Mfg. manufactures both bolted modular rack systems and fully-welded pre-fabbed custom fixed-racks to accommodate a wide variety of equipment. We offer a complete solution for mounting panels, enclosures, junction boxes, instruments, remote I/O, etc. All of our racks are rated for outdoor and heavy industrial use.

Our ModRack enables the user to assemble easily in the field, providing a flexible, cost-efficient and safe solution. The ModRack uses our readily available stock-item stanchions, receivers, and strut products, and is easily and quickly assembled on the job site. Modular components are easily transported without cranes or heavy lifting equipment.

Our fully-welded custom Fixed Racks can be built to customer specifications using your drawings or ours for both heavy duty and light duty racks.



Seal Pots/Air Manifolds

Condensate Chambers/Seal Pots

TechLine Mfg. offers standard sized condensate chambers as well as custom seal pots manufactured to our customers' specifications. A variety of materials and wall dimensions are available to meet required design pressures and temperatures. All chambers are hydro-pressure tested with pressure test certificate provided with chamber. X-Ray and Dye-Penetration testing are available upon request.

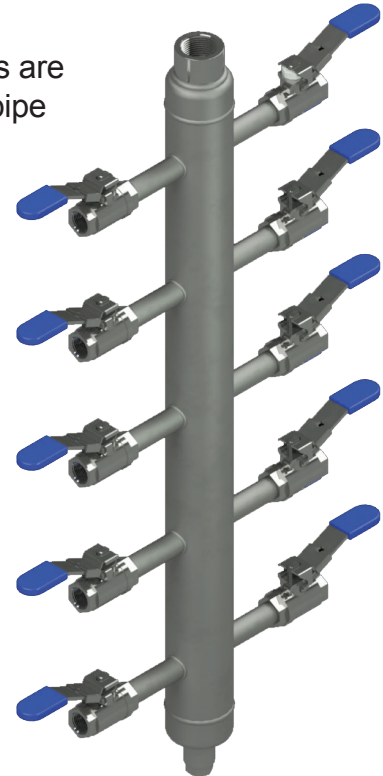
- Standard size is 3" pipe, 12" length with three ½-inch FNPT connections in schedule 80 316 stainless or carbon steel
- Material finishes include Carbon Steel, 304 and 316 Stainless Steel, Chrome 11, 22 or 91, Hastelloy and Galvanized
- Wall dimensions include S/40, S/80, S/160 and extra extra heavy
- Various pipe sizes, connection sizes and port configurations are available
- Standard stock sizes are available for immediate delivery
- Expedited delivery is available for non-stock chambers



Air and Steam Manifolds

TechLine Mfg. air and steam distribution manifolds and headers are custom fabricated to customer specifications in various sizes, pipe schedules and lengths.

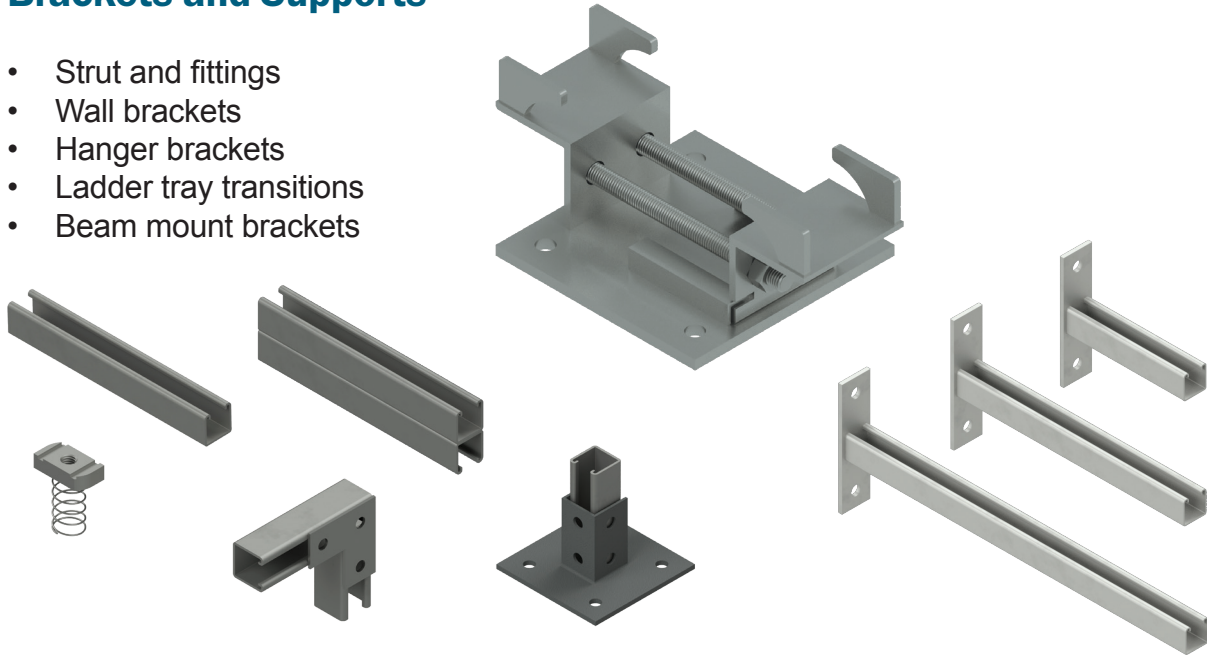
- Connections available include threaded, socket weld, or flanged
- Materials available include carbon steel, 304 and 316 stainless steel
- Manifolds available with and without SS ball valves



Supports, Custom Products, & Design

Brackets and Supports

- Strut and fittings
- Wall brackets
- Hanger brackets
- Ladder tray transitions
- Beam mount brackets

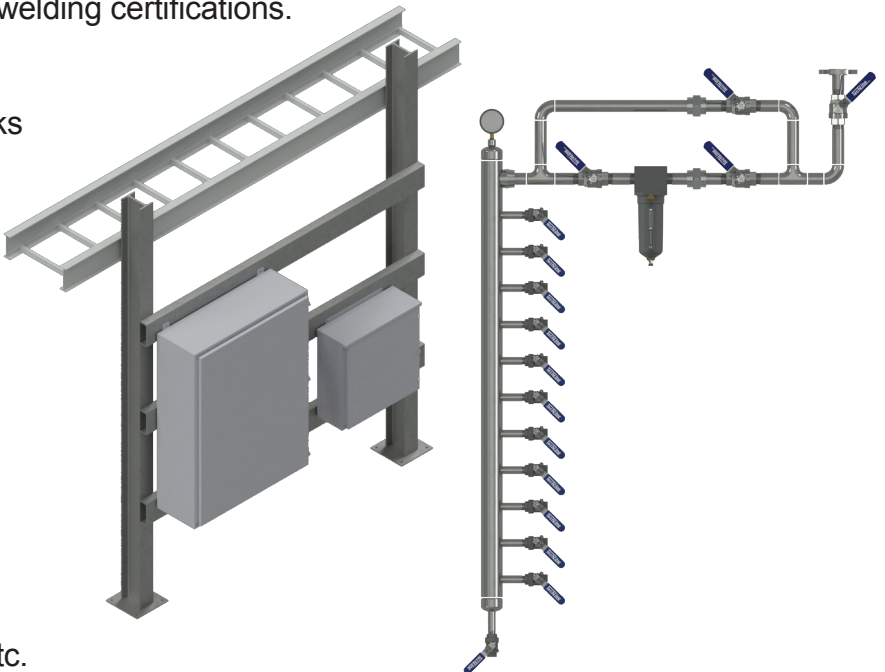


Custom Products

TechLine Mfg. excels in providing various custom products in all of our product categories. Our engineering team can work with you to develop the product you need, or we can build to your existing drawings and specifications. Our professional welding staff takes pride in their capabilities with numerous welding certifications.

Custom products include

- Instrument and electrical racks
- Instrument stands
- Start/stop button stands
- Brackets
- Air manifolds
- Condensate chambers



Design Assistance

TechLine Mfg. offers design services to fill in where needed for cable tray installation design, product drawing development, etc. Please contact us for help with design assistance.

TechLine[®] MFG.

Leader in
Instrumentation &
Electrical Supports



TechLine Manufacturing

Corporate Office and Factory
30516 Sgt. E.I. Boots Thomas Drive
Spanish Fort, Alabama 36527

☎ 800.395.3369
☎ 251.380.7300

☎ 251.380.7301

🌐 www.techlinemfg.com

TechLine Manufacturing

Regional Service Center
1814 Hwy 146 S, Suite 400
La Porte, Tx 77571

☎ 800.395.3369

☎ 832.284.4798

About TechLine Mfg.

TechLine Mfg. is a manufacturer of Instrumentation & Electrical supports, and provides quality products to industrial jobsites and facilities around the world. The company has proven capabilities for supplying products to instrument and electrical bulk package providers for large scale domestic and export projects in sectors including LNG, Oil & Gas, Power, and PetroChem, among others. Based in Spanish Fort, Ala., TechLine Mfg. was established in 1982.

