

Condensate Chambers

About TechLine Mfg. Fabricated Condensate Chambers

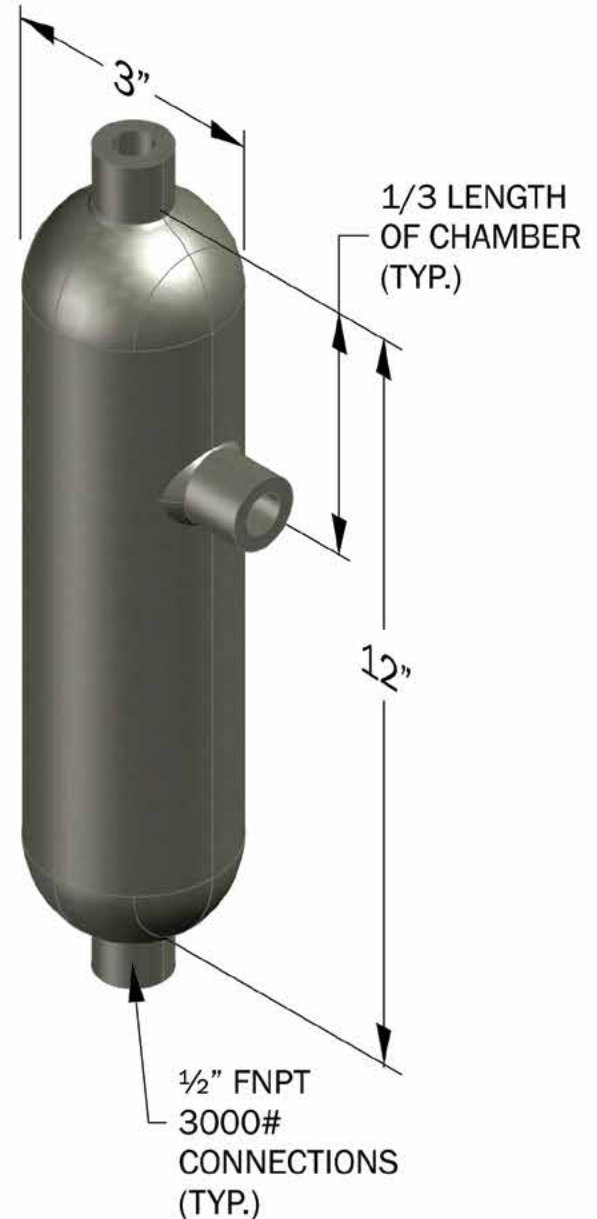
Condensate Chambers/ Seal Pots:

TechLine Mfg. chambers are used to protect sensitive metering systems and devices by trapping and holding condensate and foreign material that may accumulate in gaseous service lines. TechLine Mfg. Condensate Chambers are also used as a liquid barrier between the main line and the secondary instruments, preventing steam and other vapors, or corrosive or viscous process fluids from reaching those instruments.

TechLine Mfg. Condensate Chambers & Seal Pots are fabricated from seamless pipe. A variety of materials and wall dimensions are available to meet a customer's design pressure and temperature.

Standard stock chambers are 3" pipe, 12" long with 3 1/2" FNPT connections in Schedule 80 316 Stainless Steel or Carbon Steel. Expedited delivery is available for non-stock chambers.

All chambers are hydro-pressure tested and certified prior to shipping. X-ray and Dye-Pen testing are available upon request.

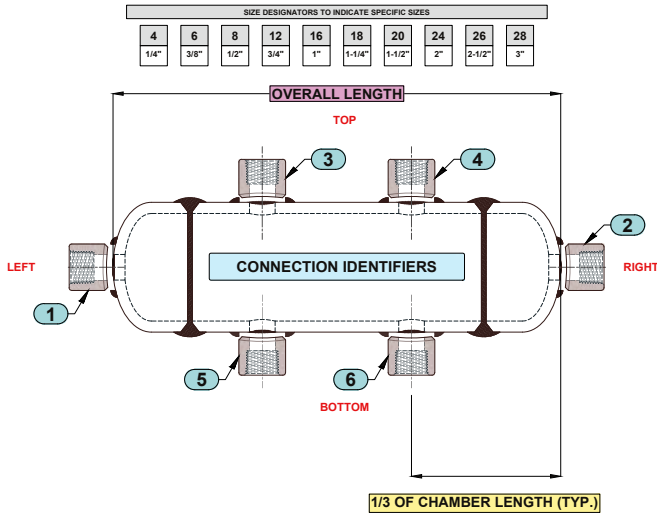


ASME Standards

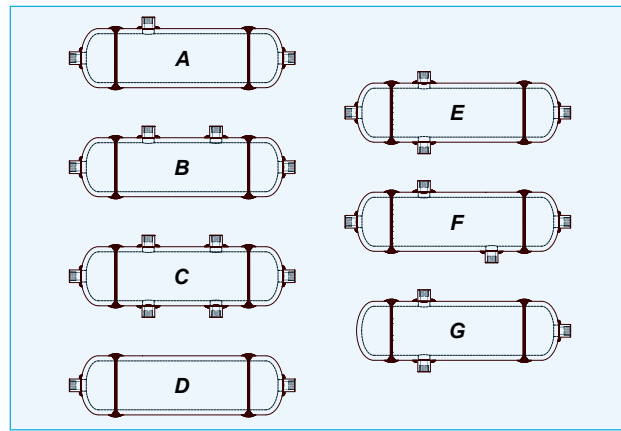
Pressure Vessels are manufactured following Welding Procedures under provisions of ASME Section IX and hydrotested under provisions of ASME Section VIII Div I: UG-99

Condensate Chambers

How to Order Condensate Chambers



Port Configuration



Example: TLDP - 3 - 12 - CS - XH - F - 8 - A

Basic Part TechLine Drip Pot	
Size of Pipe (2", 3", 4", 6", etc.)	
Length of Chamber From End Cap to End Cap (6", 7", 8", 9", 10", 11", etc.)	
Material Finish	Carbon Steel=CS Chrome 22=P22 304 SS=SS Chrome 91=P91 316SS=316SS Chrome 11=P11
Wall Thickness of Pipe Standard S/40=S Extra Heavy S/80=XH Schedule 160=S/160 Extra Extra Heavy=XXH	
Connection Style (Code) Female NPT = F Socket Weld = S Special = X	
Connection Size (Code) 1/4" = 4 3/4" = 12 3/8" = 6 1" = 16 1/2" = 8 Special = X	
Port Configuration (See box above)	

